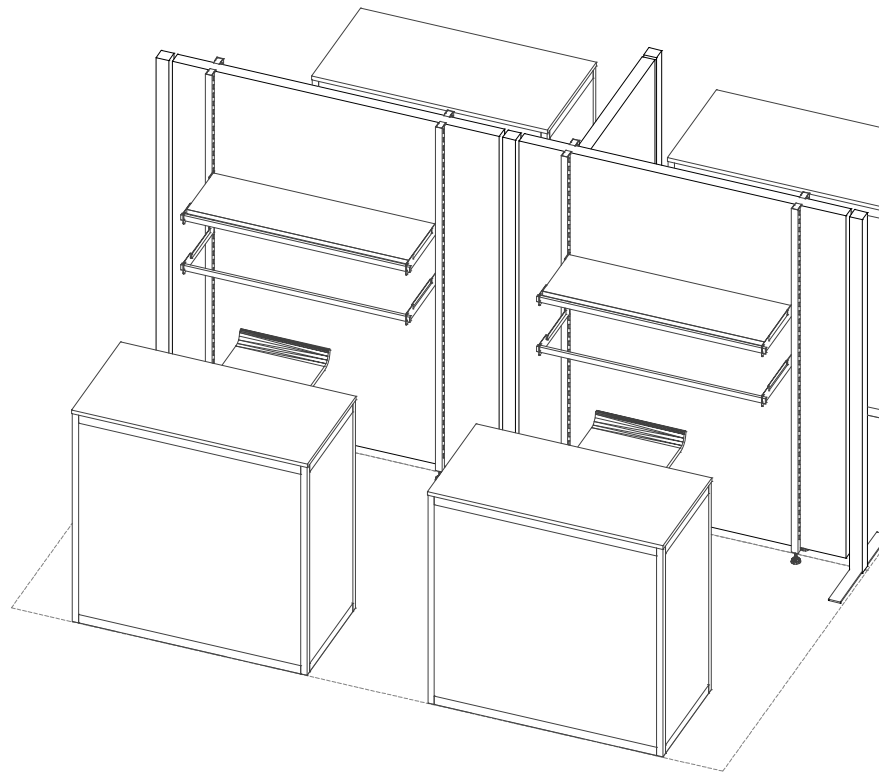


2 5' X 5' - BOOTH SCHEMATIC FRONT VIEW



3 5' X 10' - BOOTH SCHEMATIC 3D VIEW

1 5' X 10' - BOOTH SCHEMATIC TOP VIEW