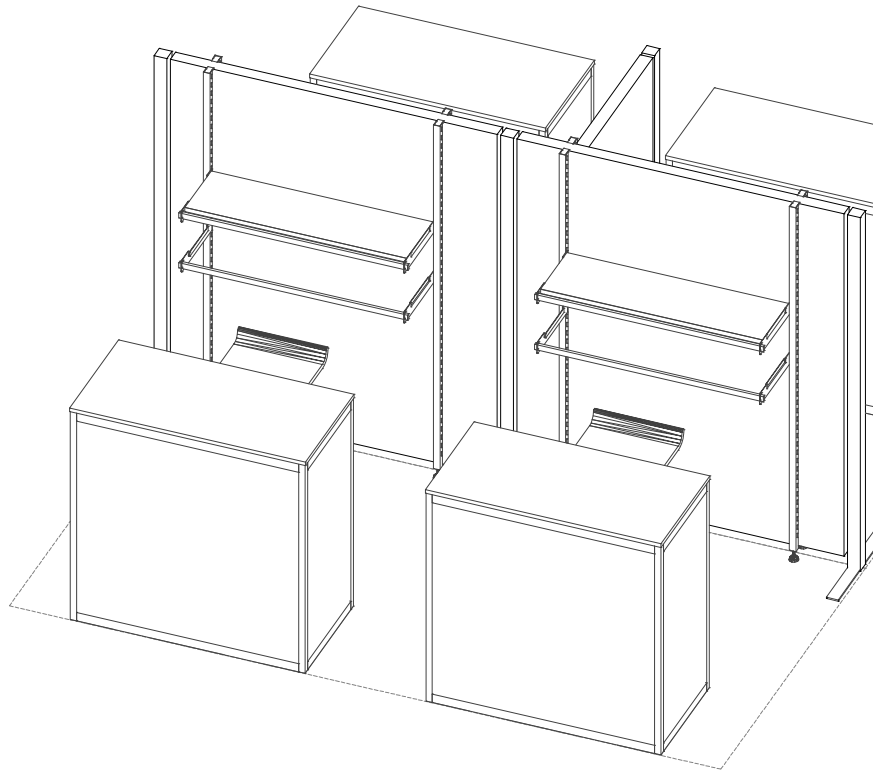


2 5' X 5' - BOOTH SCHEMATIC FRONT VIEW



3 5' X 10' - BOOTH SCHEMATIC 3D VIEW

1 5' X 10' - BOOTH SCHEMATIC TOP VIEW

DEPARTMENT:
GENERAL

PROJECT:

FUNCTIONAL
FABRIC FAIR 2024

DRAWING TITLE:

BOOTH LAYOUT
5' X 10'

SCALE: (PRINT ON 8.5" x 11")
NONE

DRAWN BY: JK

CHECKED BY: AT

DRAWING NO.:

IN-003

DRAWING DATE:
Feb 29, 2024 9:38 AM

DATE REVISIONS:

NO.	DESCRIPTION	DATE

NOTE:
